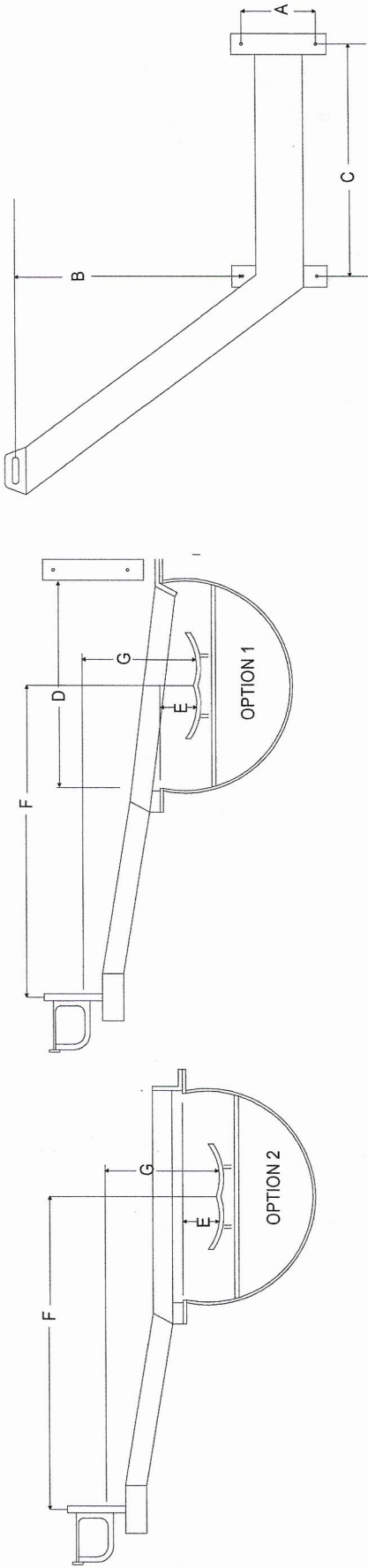


ROWING WING RIGGER MEASUREMENT SHEET



- A. BOLT TO BOLT (DOWN THE BOAT)
- B. LINE OF WORK
- C. BOLT TO BOLT (ACROSS THE BOAT)
- D. INSIDE OF BOAT (OPTION 1 ONLY)
- E. TOP OF SAX TO SEAT
- F. REQUIRED SPAN (MID DIMENSION ON PIN)
- G. REQUIRED ROWING HEIGHT (MID DIMENSION ON PIN)

**REQUIRED FINISH (COLOUR)

	1	2	3	4	5	6	7	8
A								
B								
C								
D								
E								
F								
G								

** IF HIGHER BRACKETS ARE REQUIRED TO CLEAR SHOES UNDER THE CROSSBAR PLEASE REQUEST



Tel. 01929 450018
www.neaves-rowing.com